

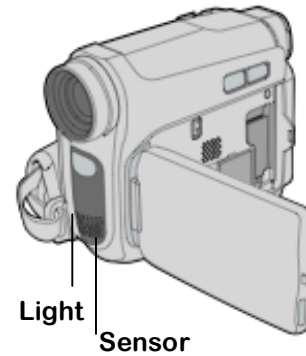
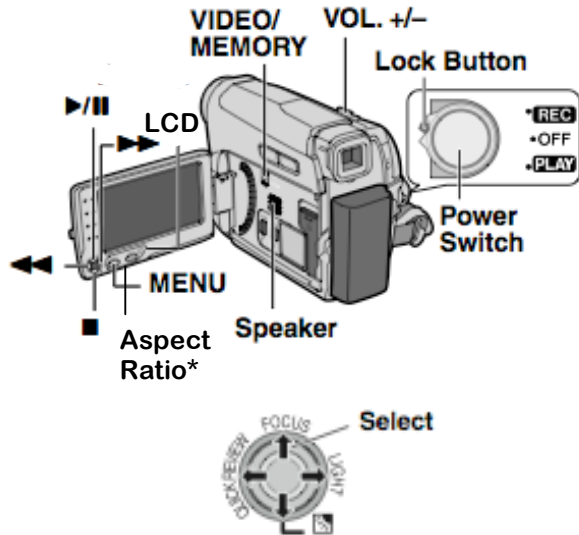
JVC-GR770 Camcorder

Smart Card Worksheet

This JVC camcorder is easy to use and great for imovie and podcasting projects! It can also be used to stream and display data as an overhead projection camera.

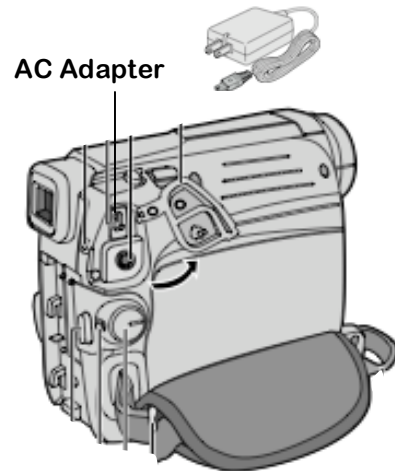
The LCD screen swivels 180 degrees.

Be careful not to block the sensor on the front of the camera.



Operation	To select
▲	▶/ FOCUS Move the control lever up.
▼	■ LIGHT Move the control lever down.
>	▶▶ LIGHT Move the control lever right.
<	◀◀ QUICK REVIEW Move the control lever left.

2) Press down the control lever to select SET:



***Aspect Ratios** Always use 4:3 aspect ratios for fast loading.

If your camera is set at 16:9, imovie will automatically begin letterboxing, which will take considerable time to convert to widescreen.

Use SP (Standard Mode) instead of LP (Long Playing) for better overall quality

Turn camera power switch to off when charging battery with AC adapter.

The battery provided will last almost 2 hours using LCD screen or about 2 ½ hours using the viewfinder, if you are not zooming extensively.

A more extensive features list is on pages 8/9 of the JVC camcorder manual.